

1

2

3

4

5

6

A

A

B

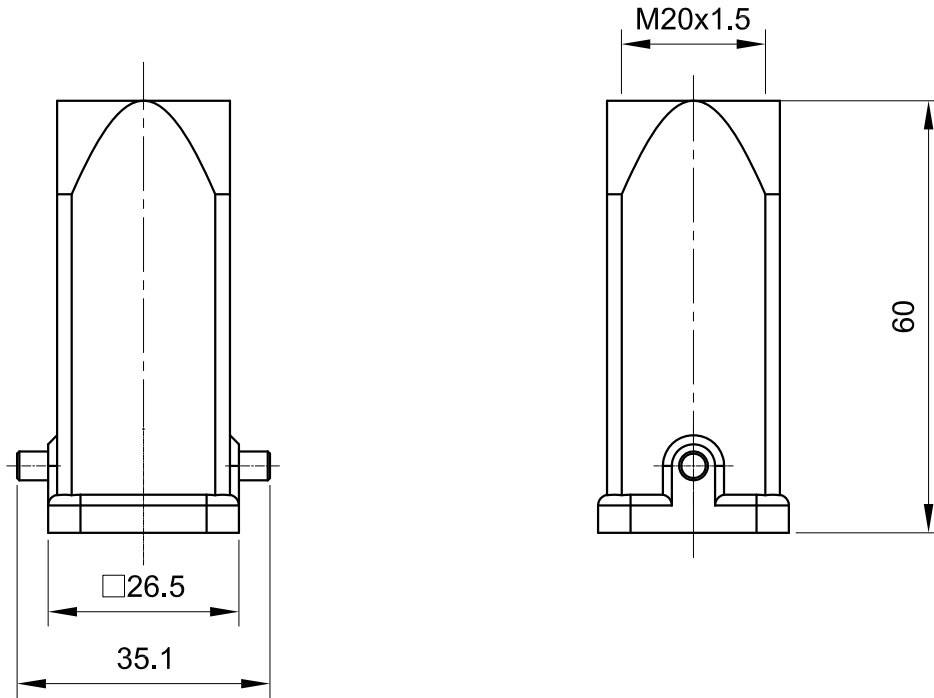
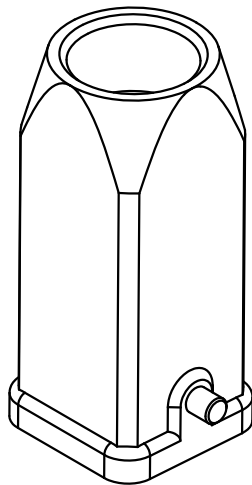
B



C

C

D

D



 InKonn (Suzhou) Electric Technology Co.,Ltd.	 All Dimensions in mm Original Size DIN A4	Date 2019-11-1	Drawing No. TC9142106	Rev. A00	Scale 1:1
	Type Name HPA3-TE-DB-M20	Part No. 10 07 003 0001	Created by Shuxu Huang	Checked by Yiyi Luo	Page 1/1

1

2

3

4

5

6